

The Dacor logo is rendered in a bold, italicized, sans-serif font with a metallic, 3D effect. The letters are dark with a lighter, reflective highlight on the top and left sides, giving it a sleek, modern appearance. A registered trademark symbol (®) is located to the right of the logo.

The Life of the Kitchen.®

A faded background image of a kitchen featuring a Dacor double wall oven. The oven is white with a stainless steel top and control panel. On the countertop in front of the oven, there is a white bowl and a large white pot. To the left, there are some kitchen items like a bowl of fruit and a bottle. To the right, there is a white dishwasher. The overall scene is brightly lit, suggesting a clean, modern kitchen environment.

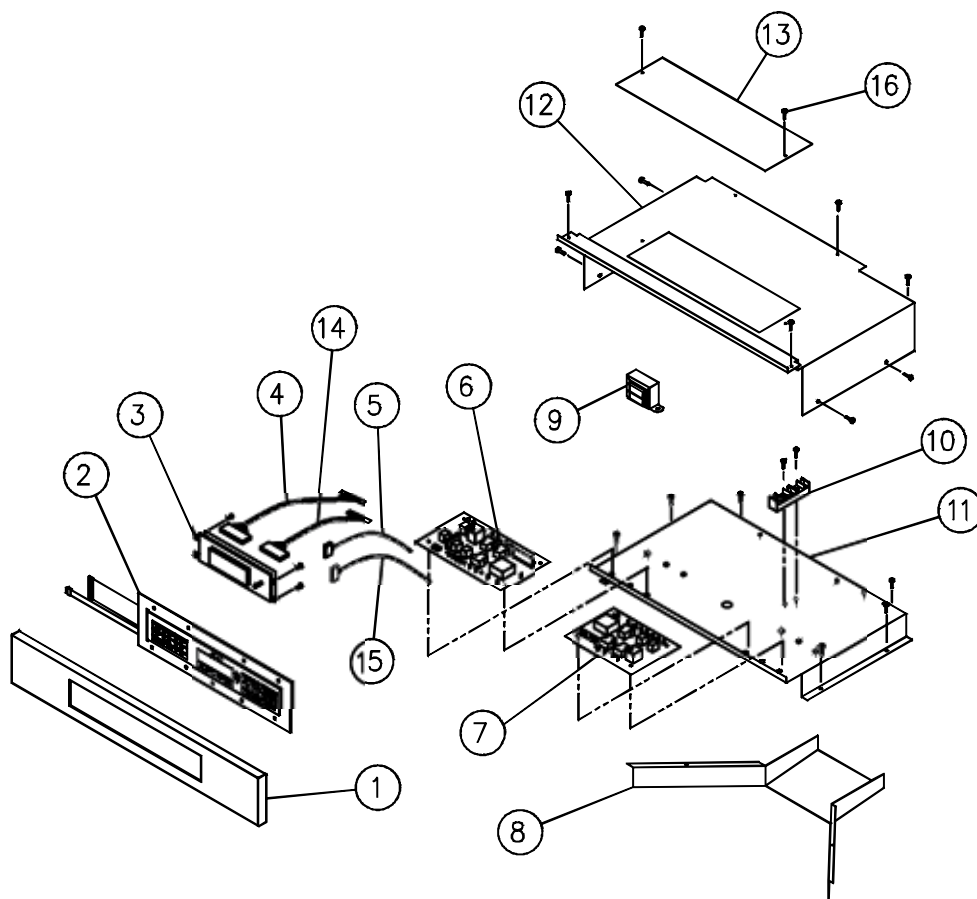
**PARTS
CATALOG**

MCD2xx, MCS2xx Double Wall Ovens

Page	Description
2	Bezel Assembly
3	Door Assembly
4	Case Assembly
5	Convection Cell Assembly
6	Convection Oven Components
7	Non-Convection Cell Assembly
8	Non-Convection Oven Components

Revised 05-03-2012

MCD/MCS2xx Double Oven Bezel Assembly

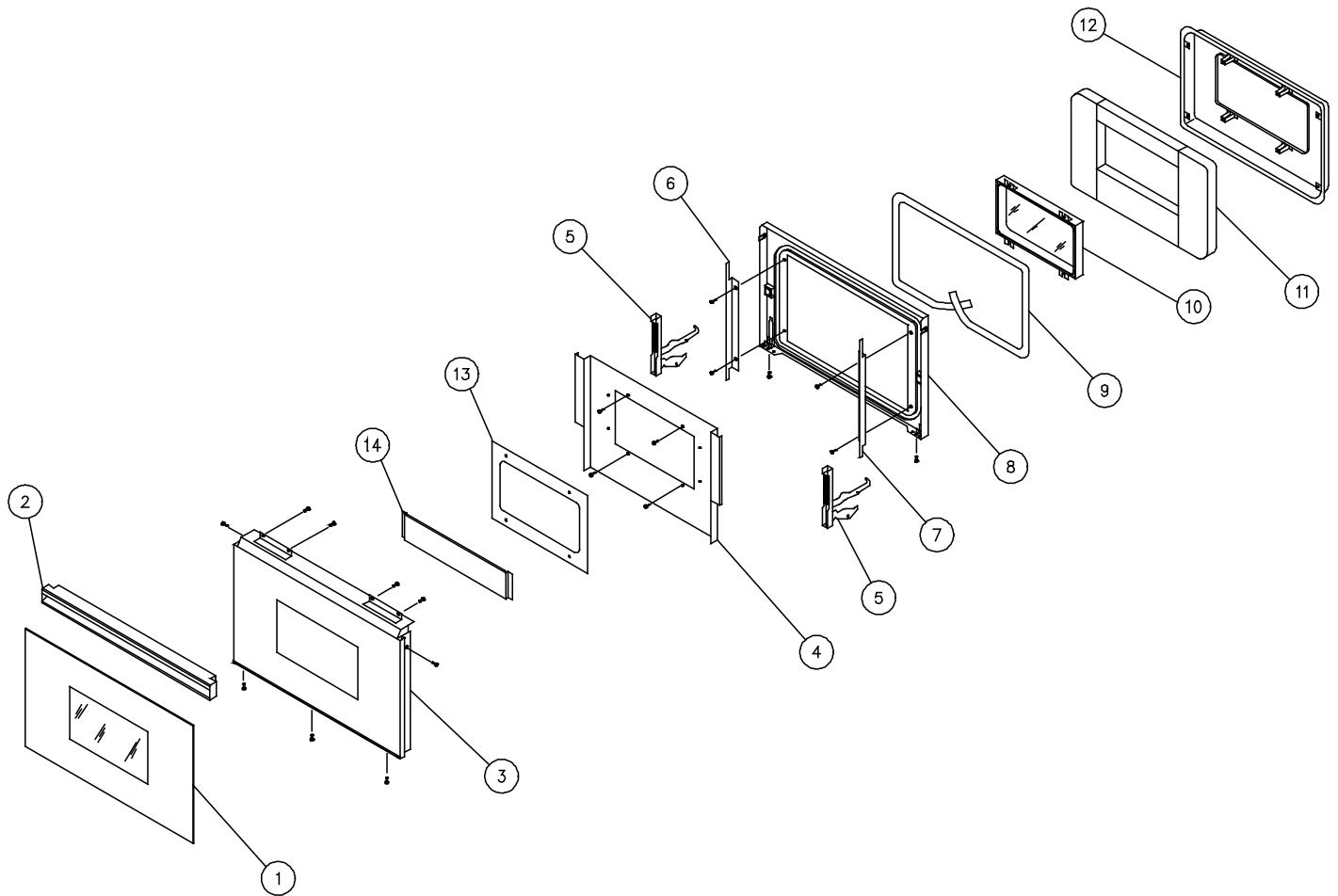


Item	MCD227	MCD230	MCS227	MCS230	Description
1	13393B/R/S	13398B/R/S	13392B/R/S	13397B/R/S	Bezel Assembly, Black (B), Arctic (R) or Stainless (S)
2	62678B/R ¹	62678B/R ¹	62677B/R ²	62677B/R ²	Membrane, Black (B) or Arctic (R)
3	62965	62965	62965	62965	ERC
4	82445	82445	82445	82445	Harness, ERC to Relay
5	82448	82448	82448	82448	Harness, Sensor Upper
6	62439	62439	62439	62439	Relay Board - Upper
7	82994	82994	82985	82985	Relay Board - Lower
8	27455	27455	27455	27455	Transition Duct
9	62808	62808	62808	62808	Transformer
10	82151	82151	82151	82151	Terminal Block
11	27589	27590	27589	27590	Sub Chassis
12	36311	36312	36311	36312	Top Cover
13	36318	36318	36318	36318	Service Panel
14	82446	82446	82446	82446	Harness, ERC to Relay
15	82449	82449	82449	82449	Harness, Sensor - Lower
16	83031	83031	83031	83031	Screw

¹Use part number 72456B on ovens with a revision of F or later.

²Use part number 72455B on ovens with a revision of F or later.

MCD/MCS2xx Double Oven Door Assembly



Item	27 Inch	30 Inch	Description
1	66274	66275	Door Skin, Stainless
	62125B/R	62124B/R	Door Glass for Black/Arctic
2	13404S	13405S	Door Handle, Stainless
	13404B/R	13405B/R	Door Handle, Black/Arctic
3	27608	27609	Glass Mounting Frame, Stain.
	27610B/R	27611B/R	Glass Mtg. Frame, Black/Arctic
4	NA	36354 ¹	Heat Shield Door, Stainless
	NA	36622B ²	Heat Shield Door, Stainless
	26575B ¹	26574B ¹	Heat Shield Door, Black
	36619B ²	36620B ²	Heat Shield Door, Black
5	82508	82508	Door Hinge, Stainless
	82883	82883	Door Hinge, Black/Arctic
6	26577 ¹	26577 ¹	Door Side Shield Left
	36617 ²	36617 ²	Door Side Shield Left
7	26576 ¹	26576 ¹	Door Side Shield Right
	36618 ²	36618 ²	Door Side Shield Right
8	86744	86746 ¹	Door Outer Liner
	86744	27460BP ²	Door Outer Liner

Item	27 Inch	30 Inch	Description
9	72026 ¹	72027 ¹	Door Gasket
	72016 ²	72020 ²	Door Gasket
10	12470 ¹	12470 ¹	Window Pack
	72148 ²	72148 ²	Window Pack
11	80173 ¹	80172 ¹	Insulation
	80212 ²	80213 ²	Insulation
12	27423BP ¹	27459BP ¹	Inner Door Liner
	27727BP ²	27728BP ²	Inner Door Liner
13	36377BP	36377BP	Window Mask
14	36353	36345	Inner Heat Shield, Stainless
	36353B/R	36345B/R	Inner Heat Shield, Black/Arctic
-	83618 ²	83618 ²	Door Bumper
-	66621 ³	66623 ³	Inner Door Assy, Stainless
-	66620 ³	66622 ³	Inner Door Assy, Black/Arctic
-	66550B/R ⁴	66551B/R ⁴	Outer Frame with Glass Assembly, Black/Arctic

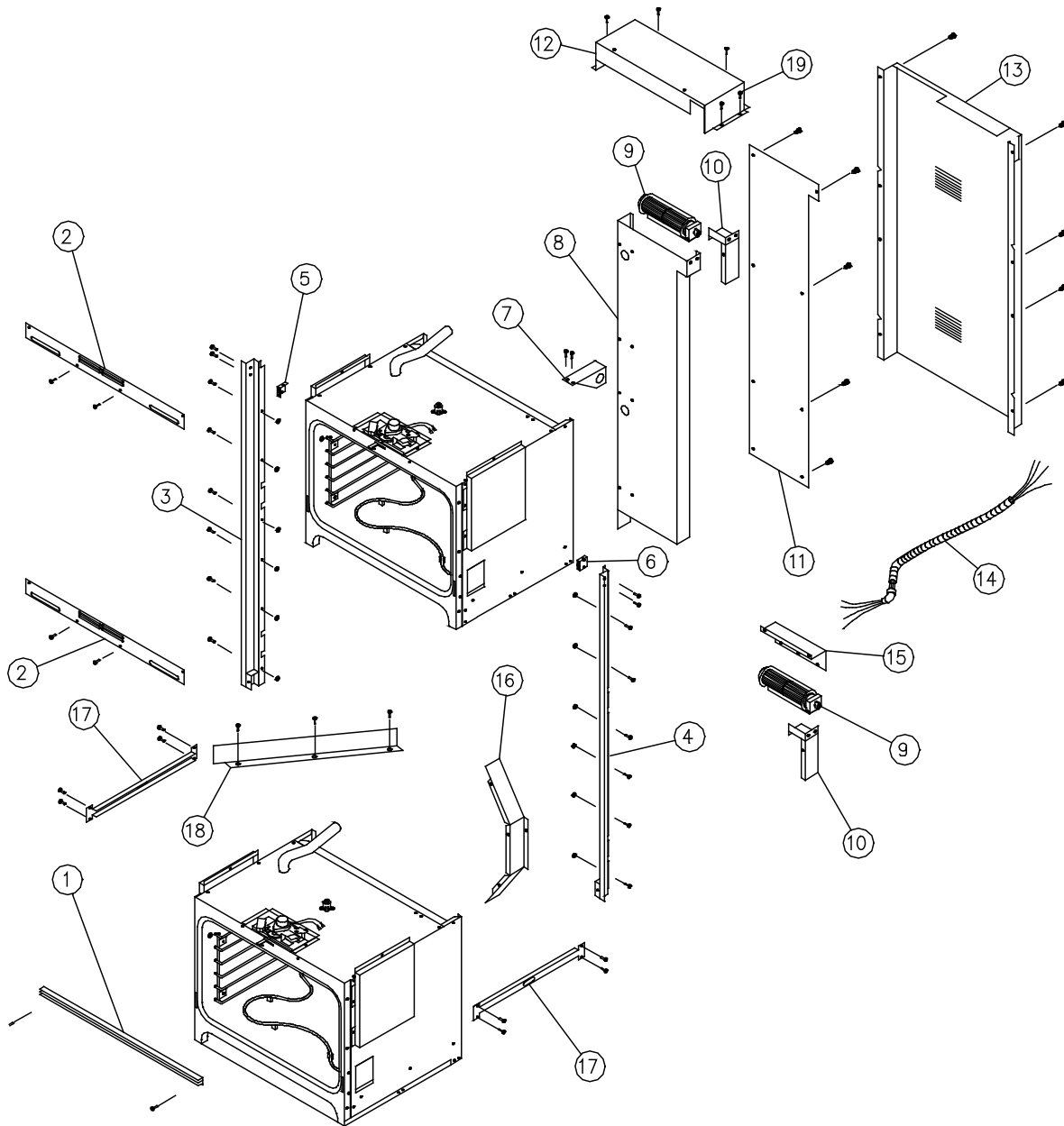
¹Single wall ovens before serial revision VC1322615.

²Single wall ovens after serial revision VC1322615.

³Includes items 4, 5, 6, 7, 8, 9, 10, 11, 12, and 13.

⁴Includes items 1, 3, door bumpers and right/left trim pieces.

MCD/MCS2xx Double Oven Case Assembly



Item	27 Inch	30 Inch	Description
1	82990x ¹	82229x ¹	EXHAUST GRILL
2	26609B ²	26638B ²	CELL INTAKE VENT
	36830B ³	36829B ³	CELL INTAKE VENT
3	27469	27469	TRIM POST, LEFT
4	27468	27468	TRIM POST, RIGHT
5	86676	86676	BEZEL MOUNTING BRACKET, LEFT
6	86675	86675	BEZEL MOUNTING BRACKET, RIGHT
7	26584	26584	CONDUIT BRACKET
8	27456	26657	EXHAUST DUCT

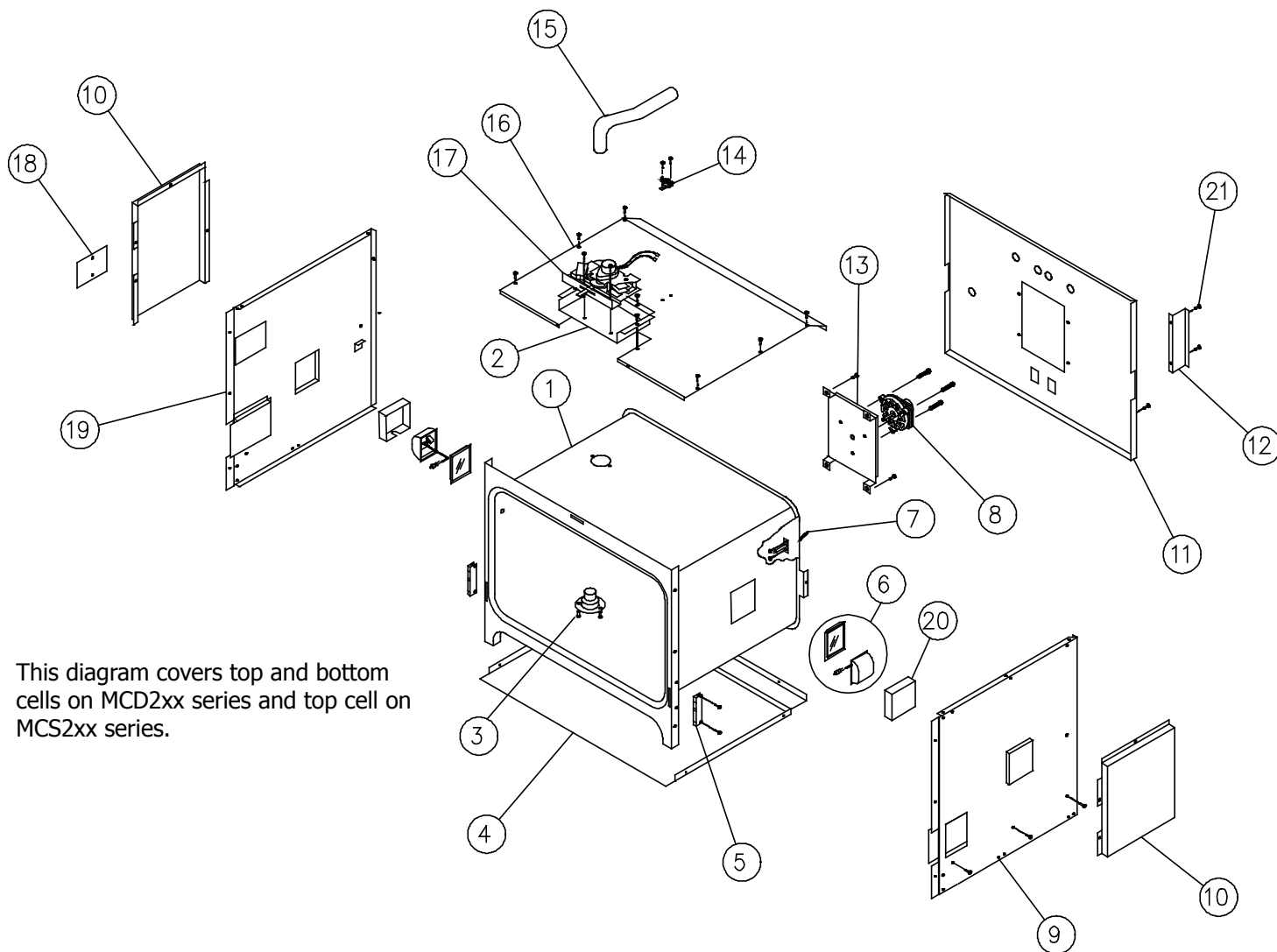
¹Specify color B = Black, R = Arctic, S = Stainless

²Double wall ovens before Rev F.

³Double wall ovens Rev F and later.

Item	27 Inch	30 Inch	Description
9	82986	82986	COOLING FAN
10	27457	27457	EXHAUST DIVIDER
11	26612	26659	EXHAUST DUCT COVER
12	26600	26635	TOP COVER REAR
13	27472	27477	BACK COVER
14	26430	26430	CONDUIT
15	27475	27475	MOUNTING BRACKET
16	26608	26608	LOWER BAFFLE
17	36319	36319	SUPPORT BRACKET
18	26599	26599	LOWER AIR BAFFLE
19	83011	83011	SCREW

MCD/MCS2xx Convection Cell Assembly



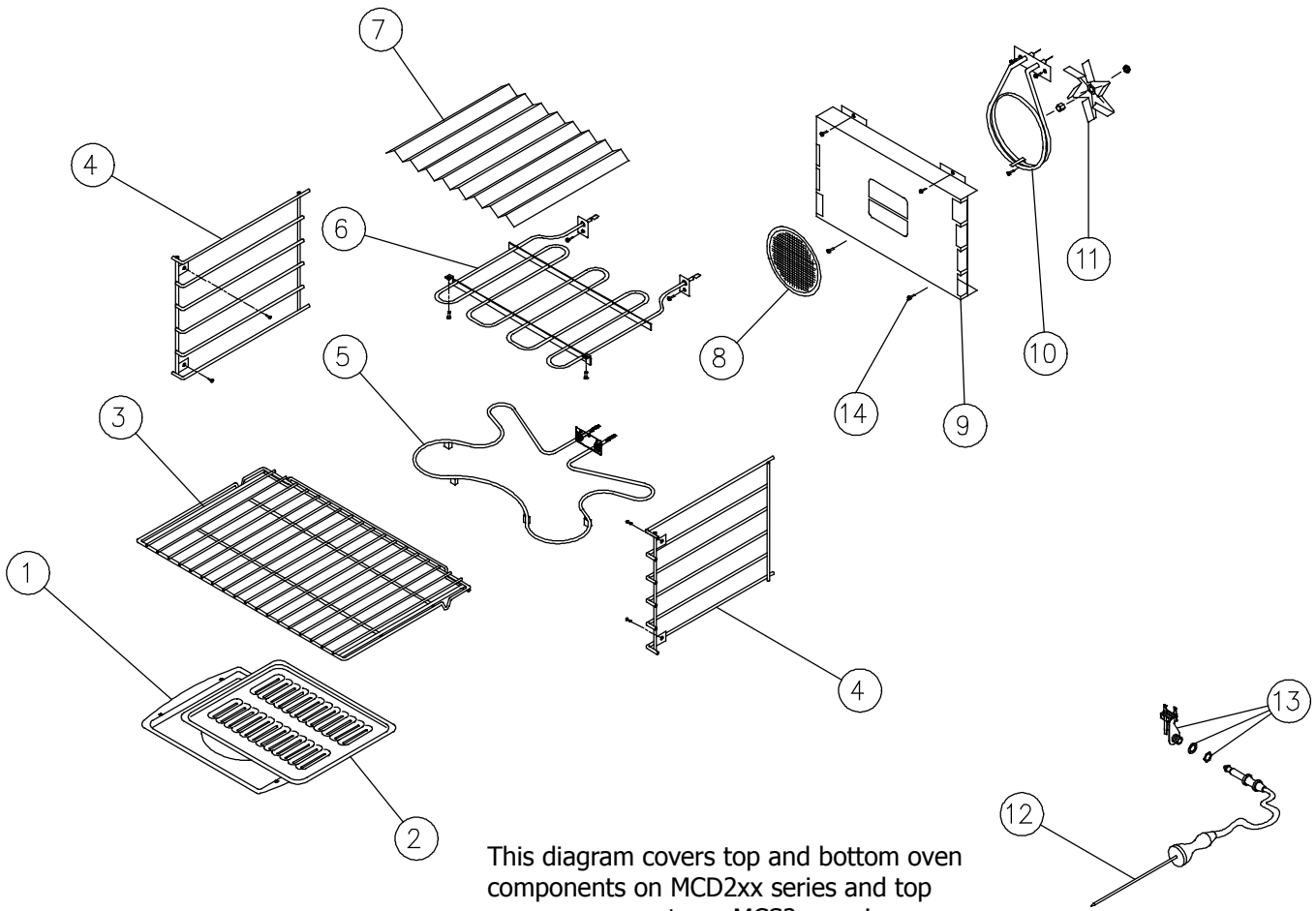
This diagram covers top and bottom cells on MCD2xx series and top cell on MCS2xx series.

Item	27 Inch	30 Inch	Description
1	NA	NA	CELL (not replaceable)
2	26598	26598	LATCH PLATE
3	82826	82826	SMOKE ELIMINATOR
4	26597	26633	CASE BOTTOM
5	82851	82851	ROLLER HINGE
6	62175 ¹	62175 ¹	HALOGEN LIGHT ASSY ¹
7	62593	62593	SENSOR
8	82647	82647	CONVECTION MOTOR
9	27600	27600	CASE SIDE RIGHT
10	36309	36309	SIDE HEAT SHIELD

Item	27 Inch	30 Inch	Description
11	36281	36282	CASE BACK
12	26606	26606	STIFFENER BRKT
13	36280	36280	MTR MTG PLATE
14	62775	62775	THERMAL SWITCH
15	82695	82695	EXHAUST TUBE
16	26581	26581	CASE TOP
17	86166	86166	DOOR LATCH
18	36279	36279	MEAT PROBE COVER
19	27599	27599	CASE SIDE LEFT
20	36105	36105	HEAT SHIELD
21	83011	83011	SCREW

¹Order part number 86573 for light bulb alone.

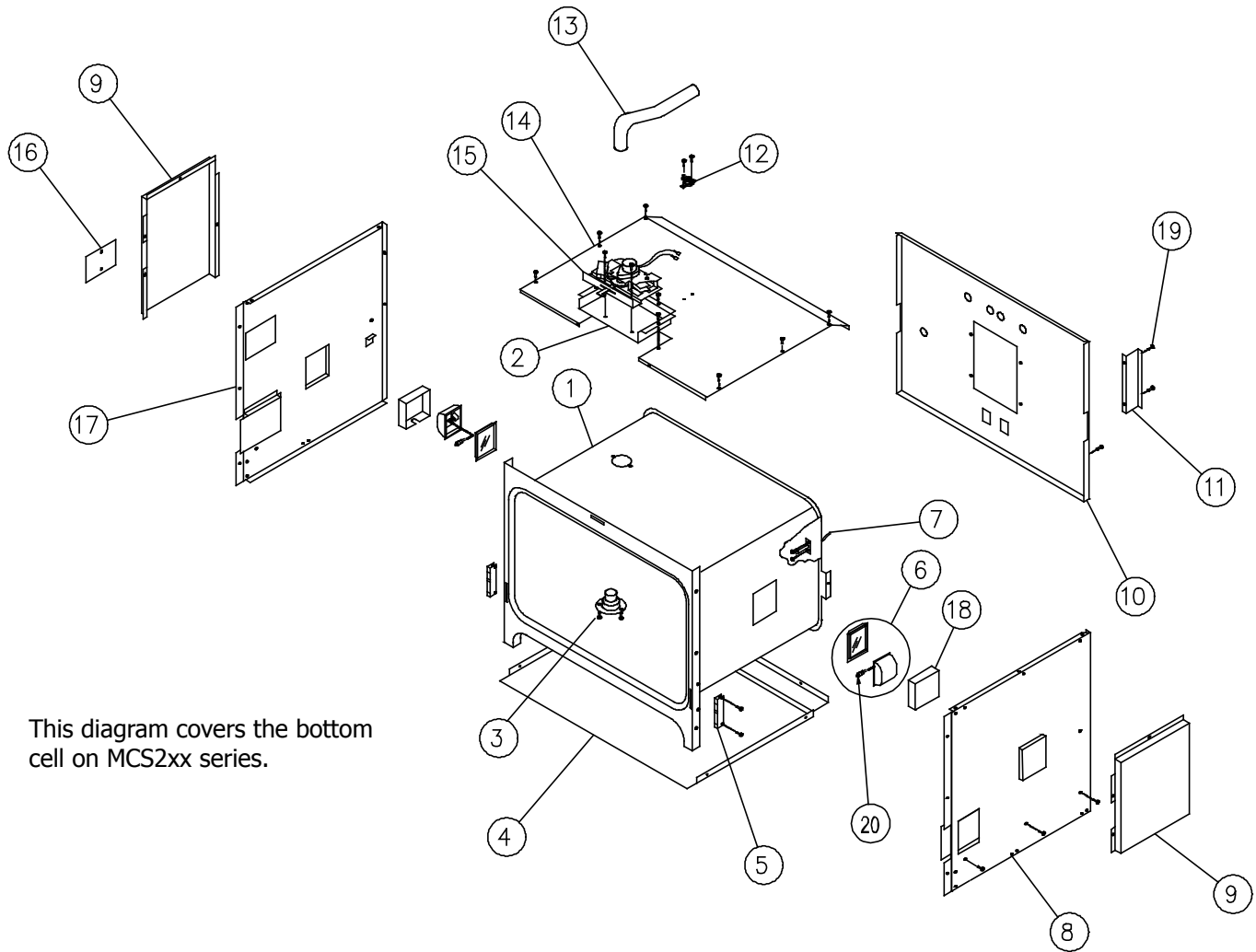
MCD/MCS2xx Convection Oven Components



Item	27 Inch	30 Inch	Description
1	82107	82107	BROIL PAN
2	82106	82106	BROIL COVER
3	62137	62139	OVEN RACK
	72767	72915	GLIDERACK OVEN RACK
4	82650	82650	SUPPORT, RACK
5	62636	62637	BAKE ELEMENT
6	62723	62723	BROIL ELEMENT
7	36509	36509	BROIL REFLECTOR

Item	27 Inch	30 Inch	Description
8	82891	82891	FILTER CONVECTION
9	26595BP	26555BP	CONVECTION BAFFLE
10	82377	82377	CONVECTION ELEMENT
11	82651	82651	CONV FAN BLADE
12	62713	62713	MEAT PROBE
13	62714	62714	PROBE SOCKET
14	83534	83534	CELL SCREW

MCS2xx Non-Convection Cell Assembly



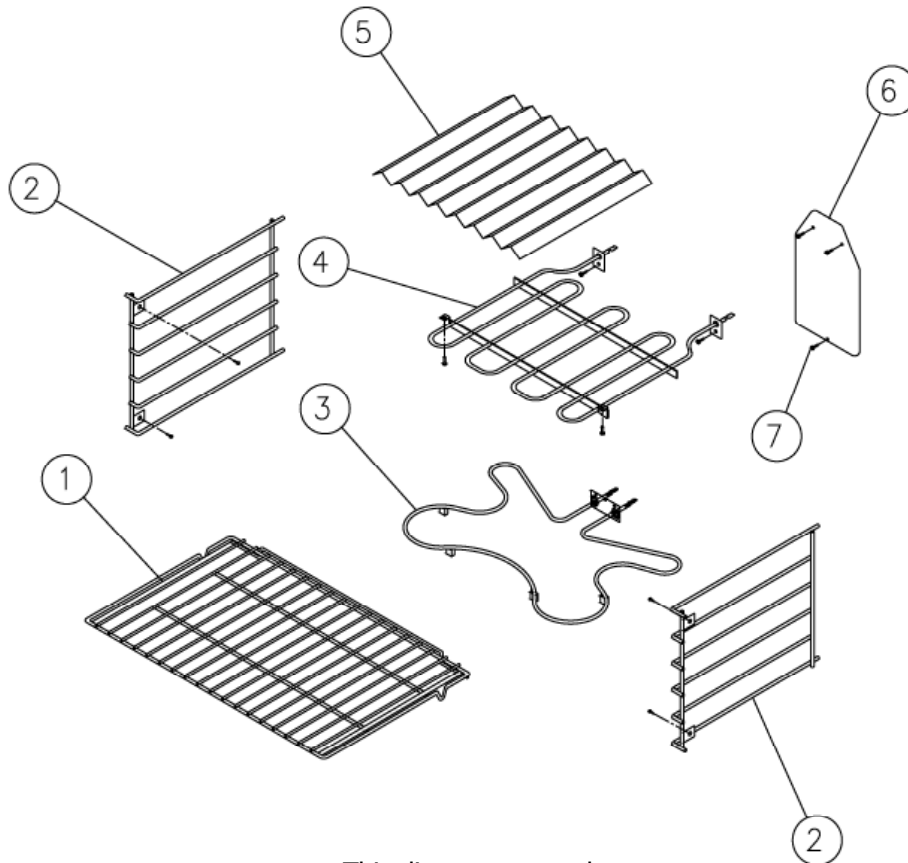
This diagram covers the bottom cell on MCS2xx series.

Item	MCS227	MCS230	Description
1	NA	NA	CELL (not replaceable)
2	26598	26598	LATCH PLATE
3	82826	82826	SMOKE ELIMINATOR
4	26597	26633	CASE BOTTOM
5	82851	82851	ROLLER HINGE
6	62175	62175	HALOGEN LIGHT ASSY ¹
7	62593	62593	SENSOR
8	27600	27600	CASE SIDE RIGHT
9	36309	36309	SIDE HEAT SHIELD
10	36281	36282	CASE BACK

Item	MCS227	MCS230	Description
11	26606	26606	STIFFENER BRKT
12	62775	62775	THERMAL SWITCH
13	82695	36282	EXHAUST TUBE
14	26581	26629	CASE TOP
15	86166	86166	DOOR LATCH
16	36279	36279	PROBE COVER
17	27599	27599	CASE SIDE, LEFT
18	36105	36105	HEAT SHIELD
19	83011	83011	SCREW
20	86573	86573	LIGHT BULB (only)

¹Includes light bulb. For bulb alone, order item 20.

MCS2xx Non-Convection Oven Components



This diagram covers bottom oven components on MCS2xx series.

Item	MCS227	MCS230	Description
1	62138	62139	NON-CONVECTION OVEN RACK
	72767	72915	GLIDERACK OVEN RACK
2	82650	82650	SUPPORT, RACK
3	62636	62637	BAKE ELEMENT
4	62723	62723	BROIL ELEMENT
5	36507	36507	BROIL REFLECTOR
6	26545BP	26545BP	COVER PLATE
7	83534	83534	CELL SCREW